

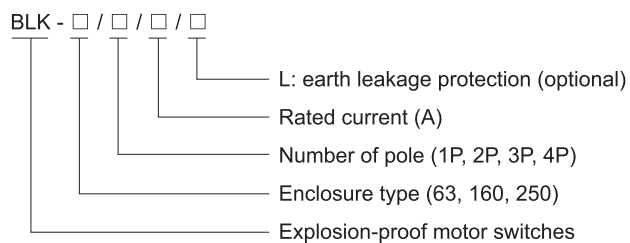
Motor Switches

BLK Series Explosion-proof Motor Switches (Ex d IIB)



- ◆ Explosion protection to
 - CENELEC
 - IEC
 - NEC
- ◆ Can be used in
 - Zone 1 and Zone 2
 - Zone 21 and Zone 22
 - Class I, Zone 1 and Zone 2
 - Class I, Division 1, Groups C, D
- ◆ Classified as IIB according to gas atmosphere.
- ◆ Copper-free aluminium enclosure, powder-coated surface.
- ◆ Built-in MCB (miniature circuit breaker), MCCB (moulded case circuit breaker).
- ◆ Earth leakage protection device is optional.

■ Catalogue number logic



■ Note

1. Please select the model by Catalogue number logic above, and specify all technical data;
2. Please specify Ex-mark when ordering;
3. Entry size and direction on request.

Zones 1&2; 21&22

Motor Switches

BLK Series Explosion-proof Motor Switches (Ex d IIB)

Technical data

Explosion-proof motor switches **BLK-63/□/□/□**

Explosion protection

Gas explosion protection

⊕ II 2 G Ex d IIB T6 Gb

Dust explosion protection

⊕ II 2 D Ex tb IIIC T80°C Db IP66

Certificates

LCIE 06 ATEX 6091; IECEx LCI 08.0009; KZ.7500525.22.01.00362 (CU-TR)

Conformity to standards

EN 60079-0, EN 60079-1, EN 60079-31

IEC 60079-0, IEC 60079-1, IEC 60079-31

Enclosure material

Copper-free aluminium, powder coated surface

Enclosure colour

Window grey (RAL7040)

Exposed fastener

Stainless steel

Circuit breaker

MCB (miniature circuit breaker)

Max. working voltage

440V AC 50/60Hz

Rated voltage

1P/230V AC, 2P/3P/4P/400V AC 50/60Hz

Rated current

1A, 2A, 4A, 6A, 10A, 16A, 20A, 25A, 32A, 40A, 50A, 63A

Number of pole

1P, 2P, 3P, 4P

Breaking capacity

6kA, 10kA, 15kA

Tripping characteristic

Instantaneous tripping range (5~10) I_n, (7~10) I_n or (10~14) I_n

Impulse withstand voltage

6kV

Degree of protection

IP66

Ambient temperature

-60°C ~ +60°C

Cable entries

Standard 1~16A: 2 x M25 x 1.5 plugs

20~32A: 2 x M32 x 1.5 plugs

40~63A: 2 x M40 x 1.5 plugs

Cable gland (optional)

DQM-II (Ex d) or DQM-III (Ex d) is recommended. Please see P7/20~27

Entry direction

Bottom

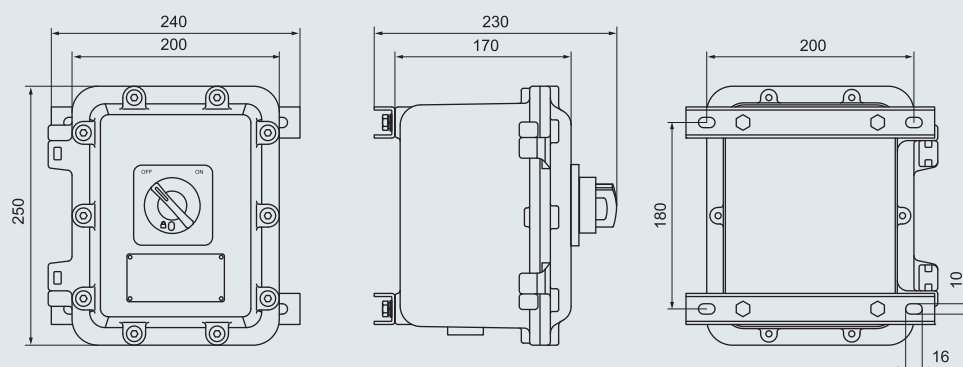
Enclosure weight

8.00 kg

Earth leakage protection

On request

Dimension drawings (all dimensions in mm) - subject to alteration



BLK-63/□/□/□

Motor Switches

BLK Series Explosion-proof Motor Switches (Ex d IIB)

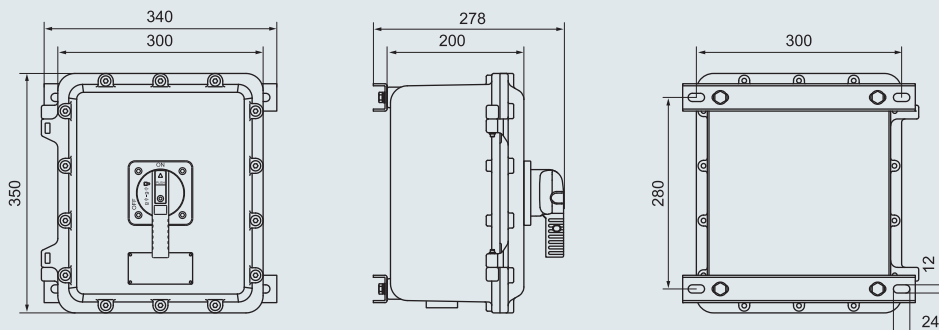
Technical data

Explosion-proof motor switches BLK-160/□/□/□

Explosion protection	
Gas explosion protection	⊕ II 2 G Ex d IIB T6 Gb
Dust explosion protection	⊕ II 2 D Ex tb IIIC T80°C Db IP66
Certificates	LCIE 06 ATEX 6091; IECEX LCI 08.0009; KZ.7500525.22.01.00362 (CU-TR)
Conformity to standards	EN 60079-0, EN 60079-1, EN 60079-31 IEC 60079-0, IEC 60079-1, IEC 60079-31
Enclosure material	Copper-free aluminium, powder coated surface
Enclosure colour	Window grey (RAL7040)
Exposed fastener	Stainless steel
Circuit breaker	MCCB (moulded case circuit breaker)
Max. working voltage	690V AC 50/60Hz 500V DC
Rated current	80A, 100A, 125A, 160A
Number of pole	3P, 4P
Breaking capacity	380/415V AC 50/60Hz, 36kA/50kA 440V AC 50/60Hz, 30kA/45kA
Impulse withstand voltage	8kV
Tripping characteristic	Thermomagnetic type
Degree of protection	IP66
Ambient temperature	-60°C~+60°C
Cable entries	Standard 80~100A: 2 x M50 x 1.5 plugs 125~160A: 2 x M63 x 1.5 plugs
Cable gland (optional)	DQM-II (Ex d) or DQM-III (Ex d) is recommended. Please see P7/20~27
Entry direction	Bottom
Enclosure weight	18.90kg
Earth leakage protection	On request



Dimension drawings (all dimensions in mm) - subject to alteration



BLK-160/□/□/□

Motor Switches

BLK Series Explosion-proof Motor Switches (Ex d IIB)

Technical data

Explosion-proof motor switches **BLK-250/□/□/□**

Explosion protection

Gas explosion protection

⊕ II 2 G Ex d IIB T6 Gb

Dust explosion protection

⊕ II 2 D Ex tb IIIC T80°C Db IP66

Certificates

LCIE 06 ATEX 6091; IECEx LCI 08.0009; KZ.7500525.22.01.00362 (CU-TR)

Conformity to standards

EN 60079-0, EN 60079-1, EN 60079-31

IEC 60079-0, IEC 60079-1, IEC 60079-31

Enclosure material

Copper-free aluminium, powder coated surface

Enclosure colour

Window grey (RAL7040)

Exposed fastener

Stainless steel

Circuit breaker

MCCB (moulded case circuit breaker)

Max. working voltage

690V AC 50/60Hz

500V DC

Rated current

200A, 250A

Number of pole

3P, 4P

Breaking capacity

380/415V AC 50/60Hz, 36kA/50kA

440V AC 50/60Hz, 25kA/40kA

Impulse withstand voltage

8kV

Tripping characteristic

Thermomagnetic type

Degree of protection

IP66

Ambient temperature

-60°C~+60°C

Cable entries

Standard 2 x M63 x 1.5 plugs

Cable gland (optional)

DQM-II (Ex d) or DQM-III (Ex d) is recommended. Please see P7/20~27

Entry direction

Bottom

Enclosure weight

28.50kg

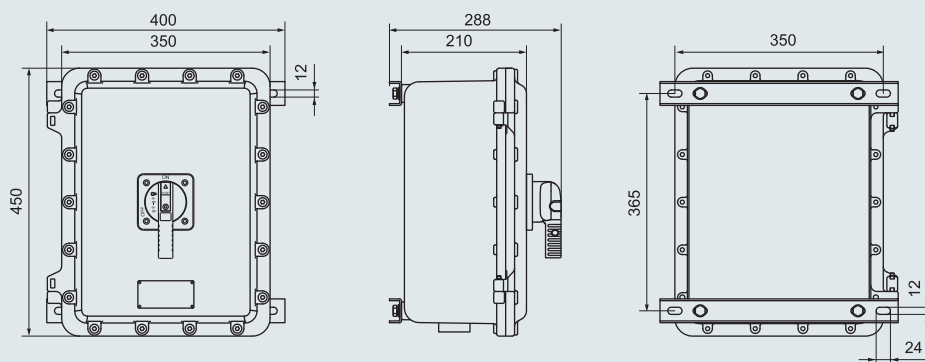
Earth leakage protection

On request

Note

Rated current > 250A on request.

Dimension drawings (all dimensions in mm) - subject to alteration



BLK-250/□/□/□